

Features

- Low Forward Voltage Drop
- Excellent High Temperature Stability
- Patented Super Barrier Rectifier Technology
- Soft, Fast Switching Capability
- **Lead Free Finish, RoHS Compliant (Note 2)**

Mechanical Data

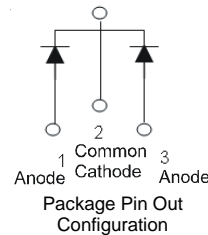
- Case: TO-220AB, ITO-220AB
- Case Material: Molded Plastic, UL Flammability Classification Rating 94V-0
- Moisture Sensitivity: Level 1 per J-STD-020D
- Terminals: Matte Tin Finish annealed over Copper leadframe. Solderable per MIL-STD-202, Method 208 ⁽³⁾
- Marking Information: See Page 2
- Ordering Information: See Page 2
- Weight: TO-220AB – 2.1 grams (approximate)
ITO-220AB – 1.9 grams (approximate)



TO-220AB



ITO-220AB



Maximum Ratings @T_A = 25°C unless otherwise specified

Single phase, half wave, 60Hz, resistive or inductive load.
For capacitance load, derate current by 20%.

| Characteristic | Symbol | Value | Unit |
|---|---------------------|-------|------|
| Peak Repetitive Reverse Voltage | V _{RRM} | 40 | V |
| Working Peak Reverse Voltage | V _{RWM} | | |
| DC Blocking Voltage | V _{RM} | | |
| RMS Reverse Voltage | V _{R(RMS)} | 28 | V |
| Average Rectified Output Current @ T _C = 110°C | I _O | 30 | A |
| Non-Repetitive Peak Forward Surge Current 8.3ms Single Half Sine-Wave Superimposed on Rated Load | I _{FSM} | 250 | A |
| Peak Repetitive Reverse Surge Current (2µs-1KHz) | I _{RRM} | 3 | A |

Thermal Characteristics

| Characteristic | Symbol | Value | Unit |
|---|-----------------------------------|-------------|------|
| Maximum Thermal Resistance (per leg) | R _{θJC} | 2 | °C/W |
| Package = TO-220AB | | 4 | |
| Package = ITO-220AB | | | |
| Operating and Storage Temperature Range | T _J , T _{STG} | -65 to +150 | °C |

Electrical Characteristics @T_A = 25°C unless otherwise specified

| Characteristic | Symbol | Min | Typ | Max | Unit | Test Condition |
|------------------------------------|--------------------|-----|------|--------------|------|---|
| Reverse Breakdown Voltage (Note 1) | V _{(BR)R} | 40 | - | - | V | I _R = 0.5mA |
| Forward Voltage Drop | V _F | - | 0.42 | 0.50 0.45 | V | I _F = 15A, T _J = 25°C I _F = 15A, T _J = 125°C |
| Leakage Current (Note 1) | I _R | - | - | 0.5 100 | mA | V _R = 40V, T _J = 25°C V _R = 40V, T _J = 125°C |

Notes: 1. Short duration pulse test used to minimize self-heating effect.
2. RoHS revision 13.2.2003. High temperature solder exemption applied, see EU Directive Annex Note 7.

SBR is a registered trademark of Diodes Incorporated.

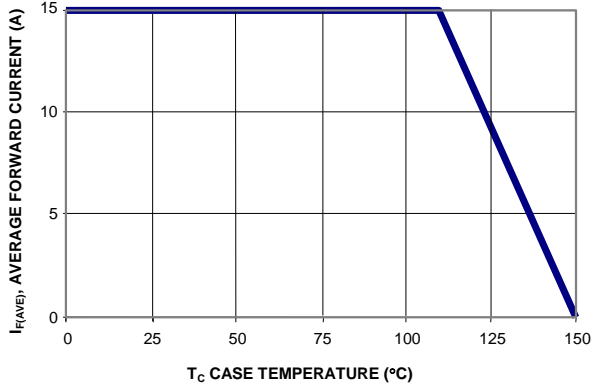


Figure 1: Current Derating Curve, Per Element

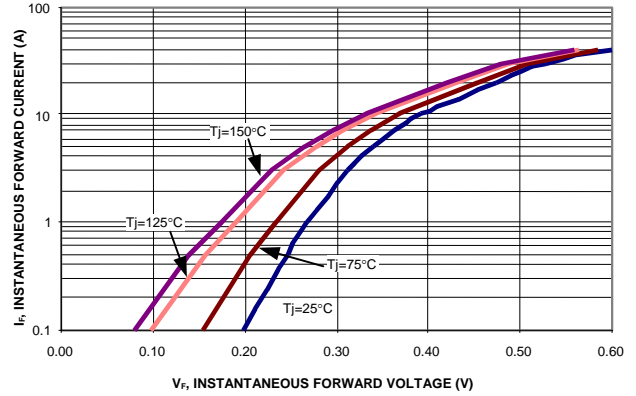


Figure 2: Typical Forward Characteristics, Per Element

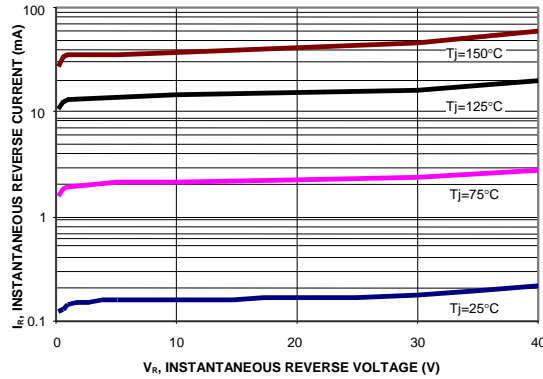


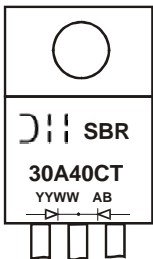
Figure 3: Typical Reverse Characteristics, Per Element

Ordering Information (Note 3)

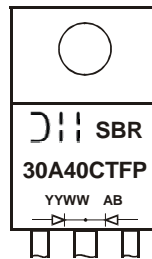
| Part Number | Case | Packaging |
|--------------|-----------|----------------|
| SBR30A40CT | TO-220AB | 50 pieces/tube |
| SBR30A40CTFP | ITO-220AB | 50 pieces/tube |

Notes: 3. For packaging details, go to our website at <http://www.diodes.com/datasheets/ap02007.pdf>.

Marking Information



SBR30A40CT = Product Type Marking Code
 AB = Foundry and Assembly Code
 YYWW = Date Code Marking
 YY = Last two digits of year, ex: 06 = 2006
 WW = Week (01-52)

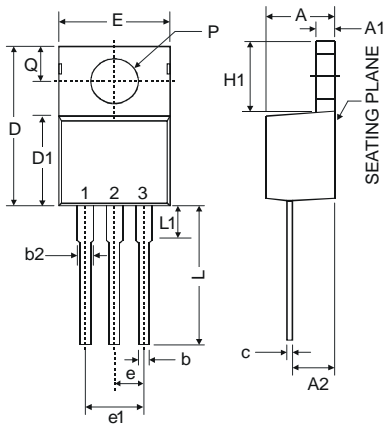


SBR30A40CTFP = Product Type Marking Code
 AB = Foundry and Assembly Code
 YYWW = Date Code Marking
 YY = Last two digits of year, ex: 06 = 2006
 WW = Week (01-52)

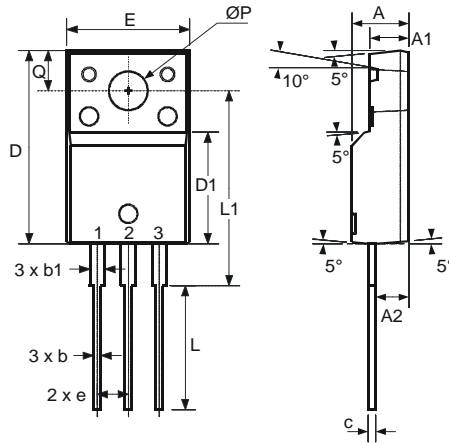
SBR is a registered trademark of Diodes Incorporated.

Package Outline Dimensions

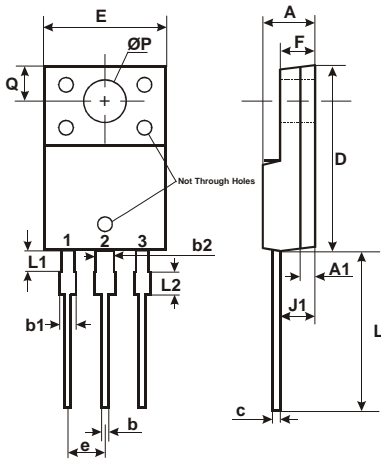
NEW PRODUCT



| TO-220AB | | | |
|----------------------|-------|------|-------|
| Dim | Min | Typ | Max |
| A | 3.56 | - | 4.82 |
| A1 | 0.51 | - | 1.39 |
| A2 | 2.04 | - | 2.92 |
| b | 0.39 | 0.81 | 1.01 |
| c | 0.356 | - | 0.61 |
| D | 14.22 | - | 16.51 |
| D1 | 8.39 | - | 9.01 |
| e | 2.54 | | |
| e1 | 5.08 | | |
| E | 9.66 | - | 10.66 |
| H1 | 5.85 | - | 6.85 |
| L | 12.70 | - | 14.73 |
| L1 | - | - | 6.35 |
| P | 3.54 | - | 4.08 |
| Q | 2.54 | - | 3.42 |
| All Dimensions in mm | | | |



| ITO-220AB (Note 4) | | | |
|-----------------------|-------|-------|-------|
| Dim | Min | Typ | Max |
| A | 4.50 | 4.70 | 4.90 |
| A1 | 3.04 | 3.24 | 3.44 |
| A2 | 2.56 | 2.76 | 2.96 |
| b | 0.50 | 0.60 | 0.75 |
| b1 | 1.10 | 1.20 | 1.35 |
| c | 0.50 | 0.60 | 0.70 |
| D | 15.67 | 15.87 | 16.07 |
| D1 | 8.99 | 9.19 | 9.39 |
| e | 2.54 | | |
| E | 9.91 | 10.11 | 10.31 |
| L | 9.45 | 9.75 | 10.05 |
| L1 | 15.80 | 16.00 | 16.20 |
| P | 2.98 | 3.18 | 3.38 |
| Q | 3.10 | 3.30 | 3.50 |
| All Dimensions in mm | | | |



| ITO-220AB ALTERNATE (Note 4) | | |
|------------------------------------|----------|-------|
| DIM. | MIN. | MAX. |
| A | 4.30 | 4.70 |
| A1 | 1.3 | |
| b | 0.50 | 0.75 |
| b1 | 1.10 | 1.35 |
| b2 | 1.50 | 1.75 |
| c | 0.50 | 0.75 |
| D | 14.80 | 15.20 |
| E | 9.96 | 10.36 |
| e | 2.54 typ | |
| F | 2.80 | 3.20 |
| J1 | 2.50 | 2.90 |
| L | 12.80 | 13.60 |
| L1 | 1.70 | 1.90 |
| L2 | 1.90 | 2.10 |
| ØP | 3.50 typ | |
| Q | 2.70 typ | |
| All Dimensions in mm | | |

Notes: 4. For product manufactured with Date Code 0733 (week 33, 2007) and newer, please refer to ITO-220AB dimensions. For product manufactured prior to Date Code 0733, please refer to ITO-220AB ALTERNATE dimensions.

IMPORTANT NOTICE

Diodes Incorporated and its subsidiaries reserve the right to make modifications, enhancements, improvements, corrections or other changes without further notice to any product herein. Diodes Incorporated does not assume any liability arising out of the application or use of any product described herein; neither does it convey any license under its patent rights, nor the rights of others. The user of products in such applications shall assume all risks of such use and will agree to hold Diodes Incorporated and all the companies whose products are represented on our website, harmless against all damages.

LIFE SUPPORT

Diodes Incorporated products are not authorized for use as critical components in life support devices or systems without the expressed written approval of the President of Diodes Incorporated.